

## Product Specifications

Flexible, one direction

<b>Material</b>	AISI Type 316 SS
<b>Open Area</b>	65%
<b>Weight</b>	0.68 lbs/sqft
<b>Max. width</b>	20' standard order, 26' special order
<b>Max. length</b>	Contact GKD

Available also with ss cables and bronze rods up to 62" wide

## System Components

- Extended loop - eyebolts
- Extended loops - hook at top
- Flat & angle
- Flats with clevis
- Frame
- Outrigger tension system
- Reinforced internal flat bar
- StealthLok
- StealthLok Sprung
- U-binding frame
- WIB - hooks and springs
- WIB - eyebolts top and bottom
- WIB - hooks and eyebolts

## North American Headquarters

North America  
 GKDMETALFABRICS  
 825 Chesapeake Drive  
 Cambridge MD 21613  
 Direct: 410.901.8428 or  
 410.901.8429  
 metalfabrics@gkdusa.com



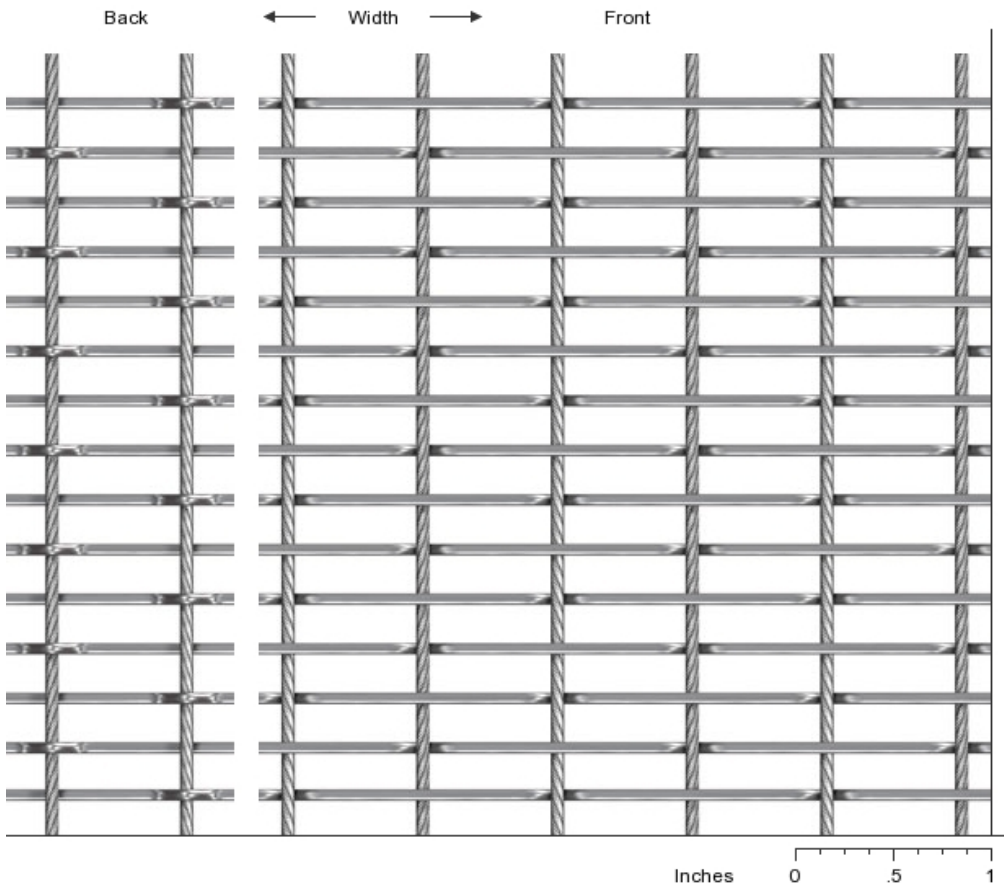
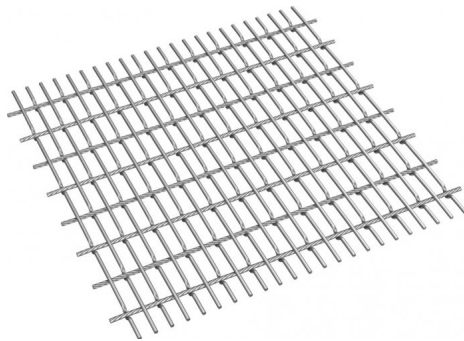
## Applications

- Transparent Metal Mesh Facades
- Partitions



SUNSHADING

Please refer to  
 page 2 for Solar  
 Control Data





GKD-USA offers a complete sunshade technical program. Our engineering team works with you to provide an assessment and application analysis to your specific need or project. GKD Metal Fabric Sunshading Façades offer significant energy saving, comfort, and a pleasant work environment by filtering light and providing transparent views to the outside.

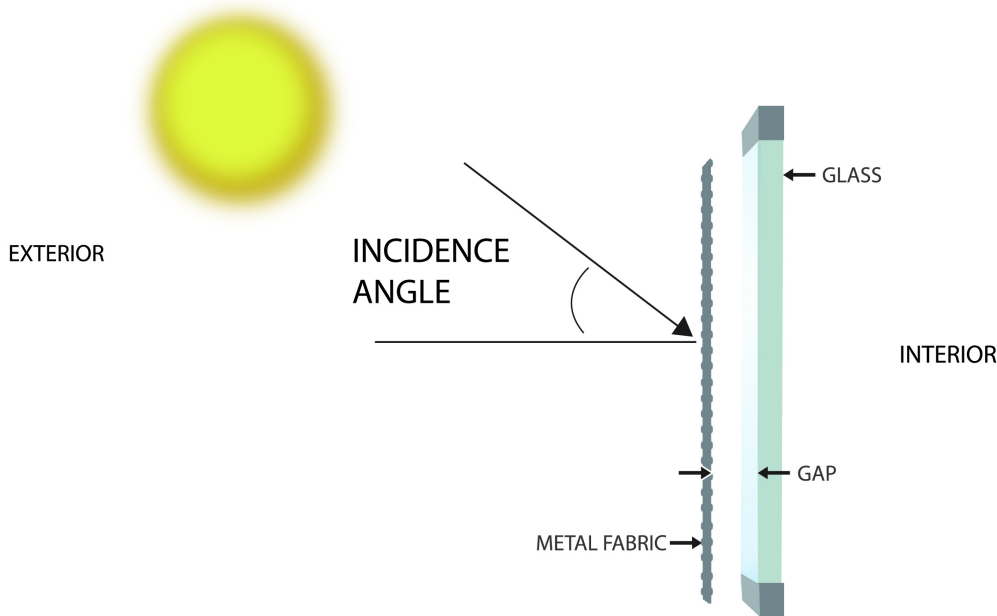
### North American Headquarters

North America  
 GKDMETALFABRICS  
 825 Chesapeake Drive  
 Cambridge MD 21613  
 Direct: 410.901.8428 or  
 410.901.8429  
 metalfabrics@gkdusa.com



## Solar Control Data

<b>Percentage of Visible Light Transmittance</b>	Minimum 0.45, Maximum 0.65
<b>Percentage of Visible Light Reflectance</b>	Minimum 0.14, Maximum 0.18
<b>Solar Gain Coefficient (SHGC)</b>	Minimum 0.28, Maximum 0.42



### SOLAR CONTROL DATA NOTES:

Test per EN 410 "Glass in building - Determination of luminous and solar characteristics of glazing"  
 SHGC per EN 13363-1 "Solar protection devices combined with glazing - calculation of solar and light transmittance"  
 Glazing system constants:  $U_{glazing} = 1.2 \text{ W/m}^2\text{K}$ ,  $g_{glazing} = 0.60$   
 $TV_{tot}$  = Percentage of visible light transmittance  
 $PV_{tot}$  = Percentage of visible light reflectance  
 $g_{tot}$  = Solar Heat Gain Coefficient (SHGC)